



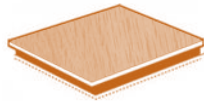
La gama de **encimeras y separadores** rectos en compacto fenólico de 12 mm dispone de las cualidades preponderantes para la resistencia y durabilidad requerida en este tipo de productos. Destaca su superficie no porosa de mantenimiento que repele la suciedad.

Tops and urinary spacers range are produced in phenolic panels. They have high resistance against scratch wears impact, chemical products. Surface is non-porous, dirt does not adhere to it. Simple maintenance.



Espesor | Thickness

Tablero compacto fenólico de 12 mm de espesor
Phenolic compact panel of 12 mm of thickness



Propiedades | Attributes

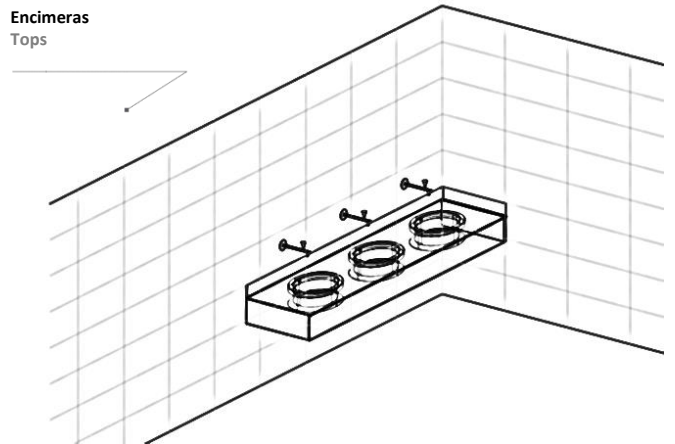
- Ignífugo | Fire resistant
- Hidrófugo | Water resistant
- Antibacteriano | Antibacterial
- Anticorrosivo | Anticorrosive
- Superficie no porosa | Surface is non-porous
- Resistente al rayado, desgaste e impacto y productos químicos. | High resistance against scratch wears impact, chemical products...
- Repelente de la suciedad | Dirt does not adhere to it
- Mantenimiento sencillo | Simple maintenance

Colores en Stock | Stock range of colours



Tipos | Types

Encimeras
Tops



Separadores
Urinary spacers

